

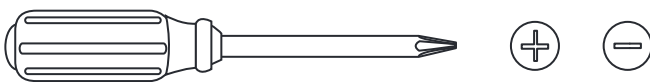
Environments Guidelines



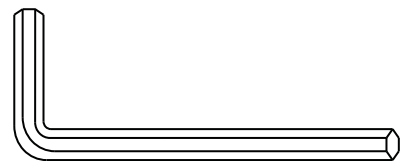
Sense of Place™ — for wee ones — by Sandra Duncan

The *Sense of Place for Wee Ones* collection is the first modular classroom furniture system for infants and toddlers that supports, nurtures and encourages a child's inherent need to move, play and belong. Built upon extensive research and theory, this beautiful collection provides infants and toddlers with an environment that supports innate play patterns and understandings that nurture and support a child's physical and cognitive development.

Hardware



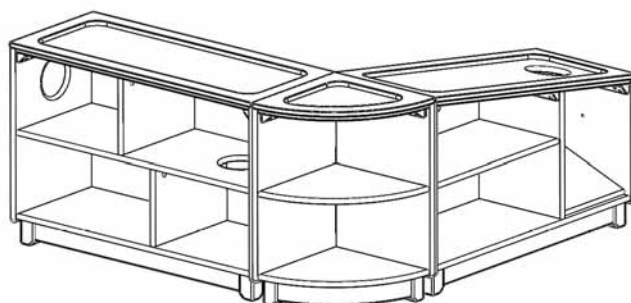
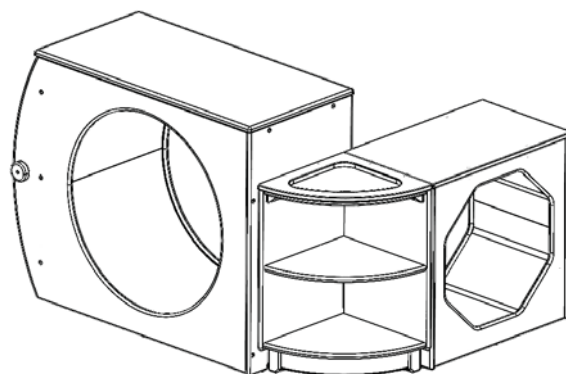
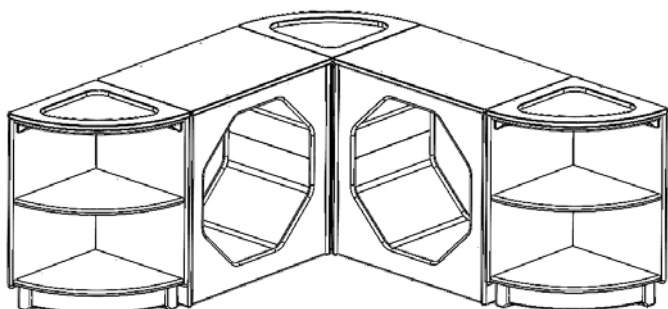
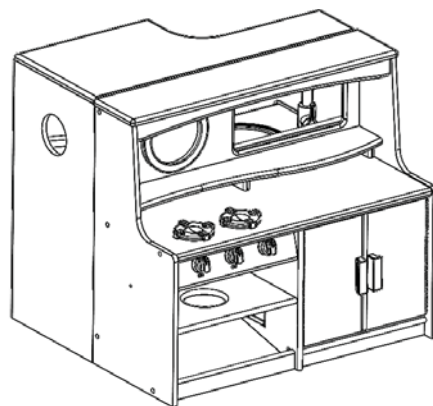
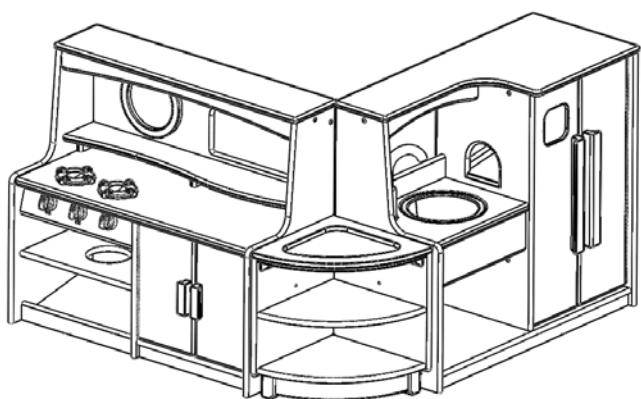
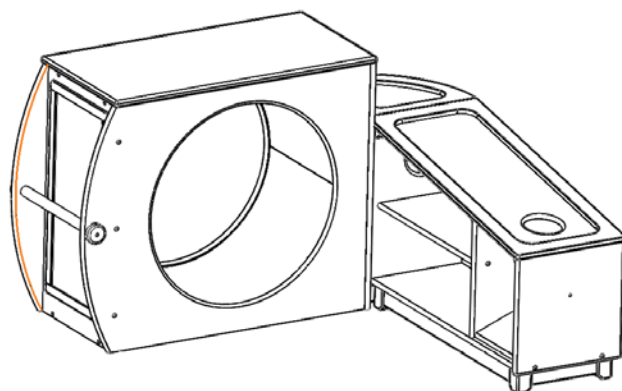
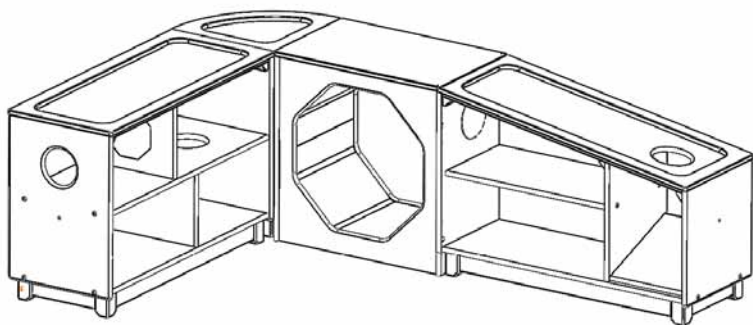
You will also need a Phillips-head screwdriver (not included).



Customer Service

For questions regarding this product, or to receive replacement or missing parts, contact Customer Service at (800) 334-2014. Please have the model number and part number(s) located in this Assembly Instruction sheet available for reference.

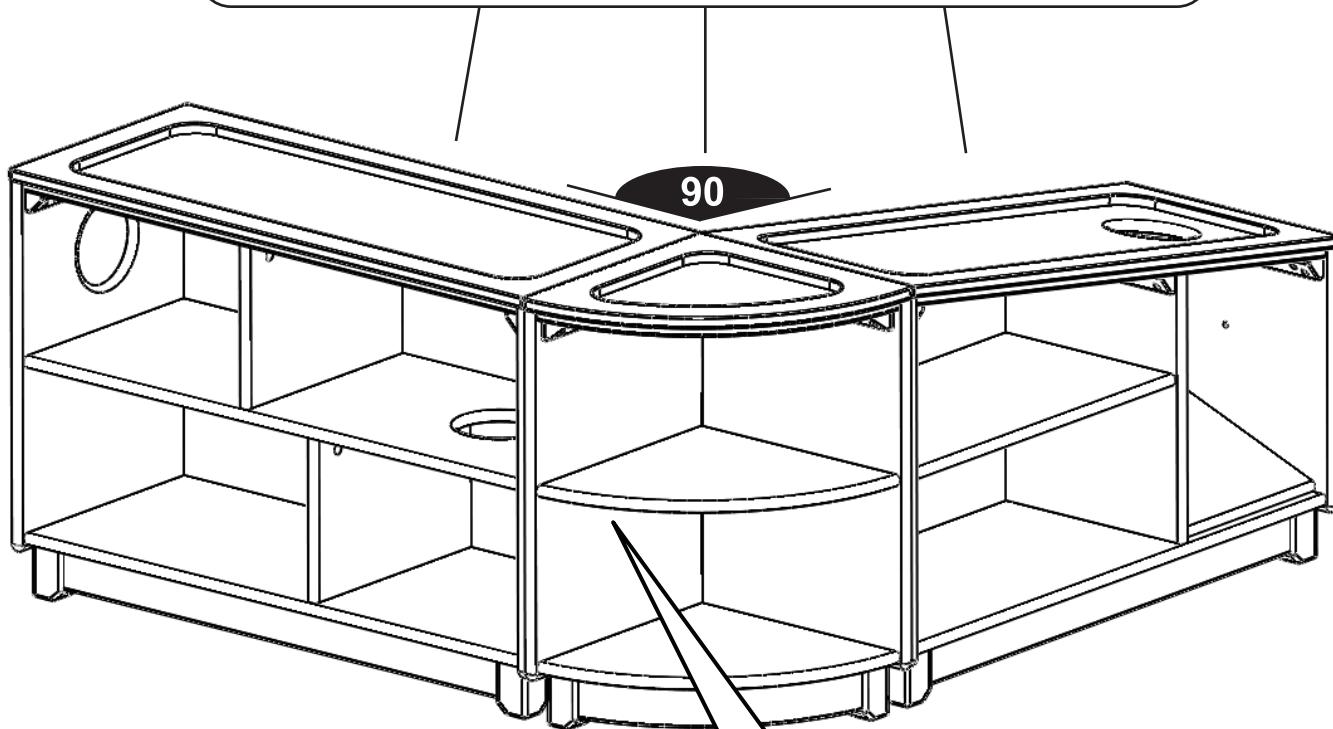
⚠ WARNING: Adult assembly required.



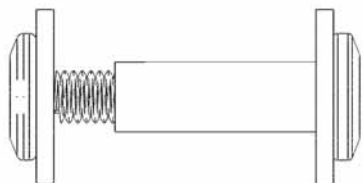
The *Sense of Place for Wee Ones* collection works together in multiple configurations that can be easily adapted and rearranged to encourage children's innate play patterns and their inherent need to move, play, explore and belong. Above are a few suggestions of how to set up various units within your learning space. Use the connection system with the modular *Sense of Place for Wee Ones* furniture pieces to create a flexible classroom that supports each child's development.



Furniture must be locked together for safety and stability. Include at least one 90 degree connection into your configuration.



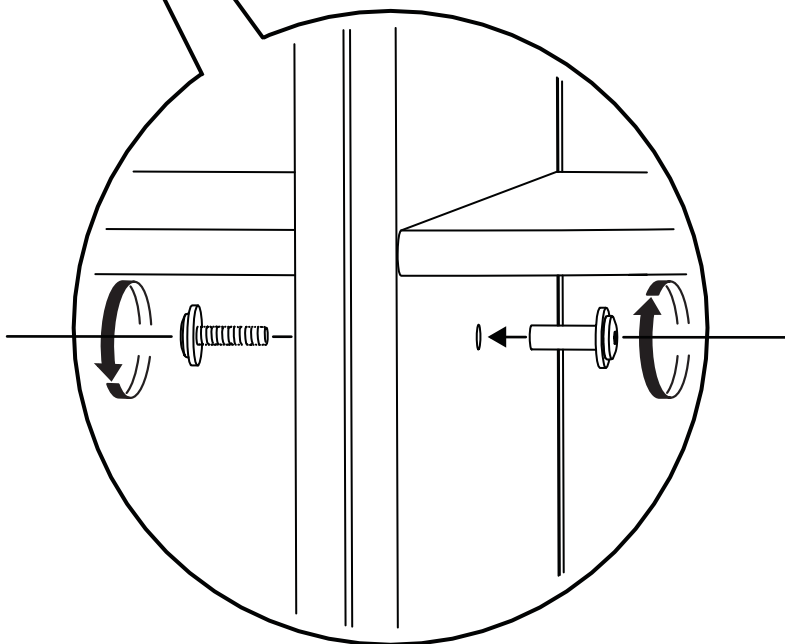
Connection Hardware

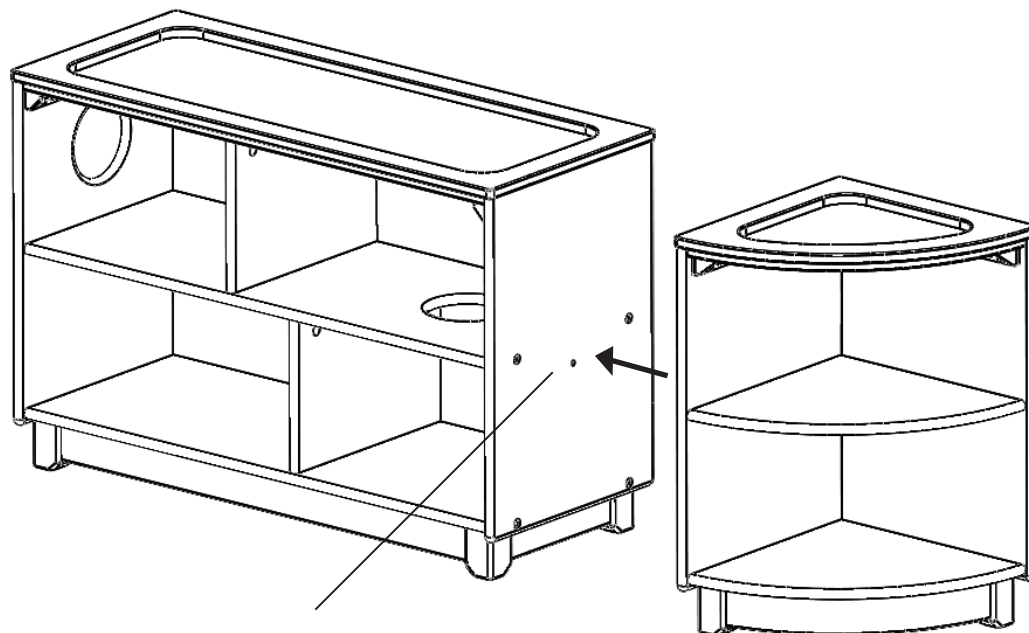


Included with every piece of furniture is hardware for attaching your units together.

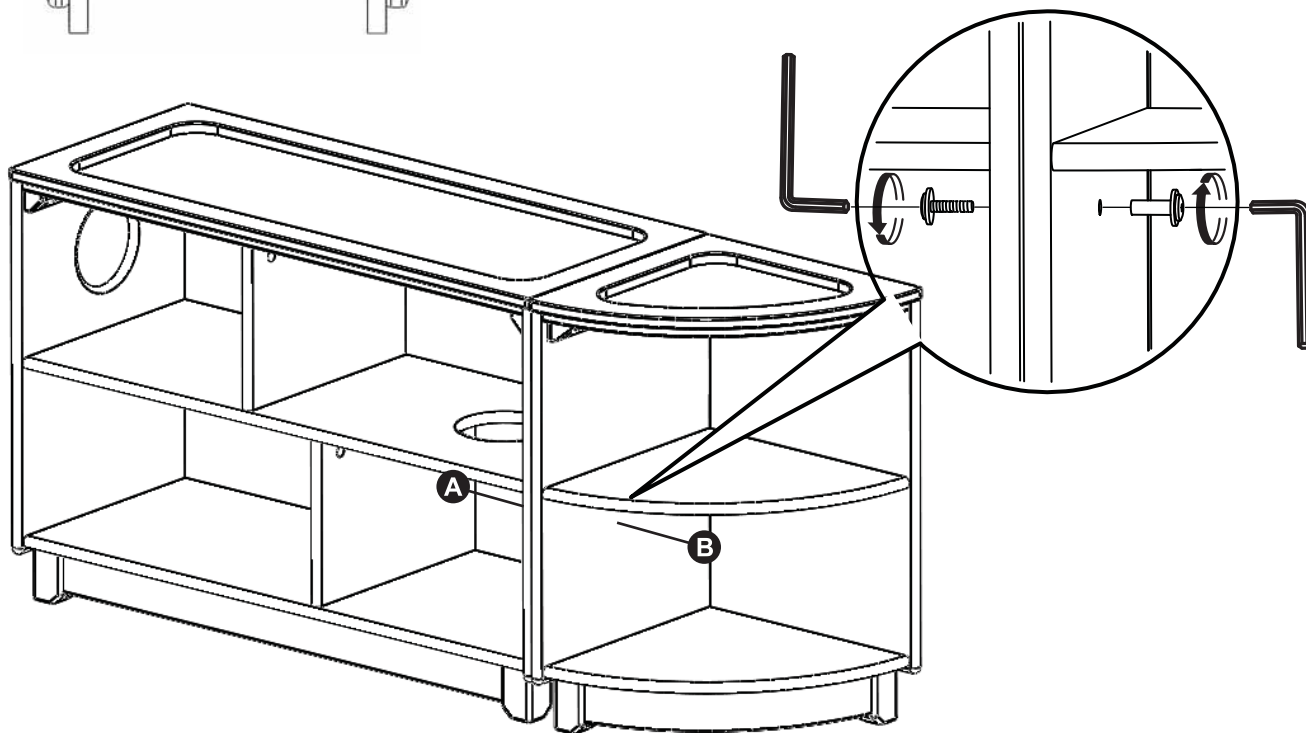
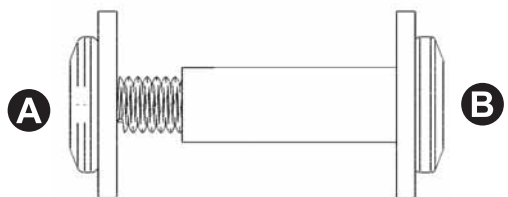
Required for assembly

2x

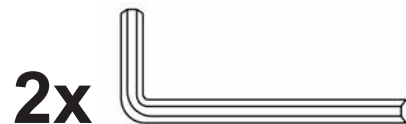


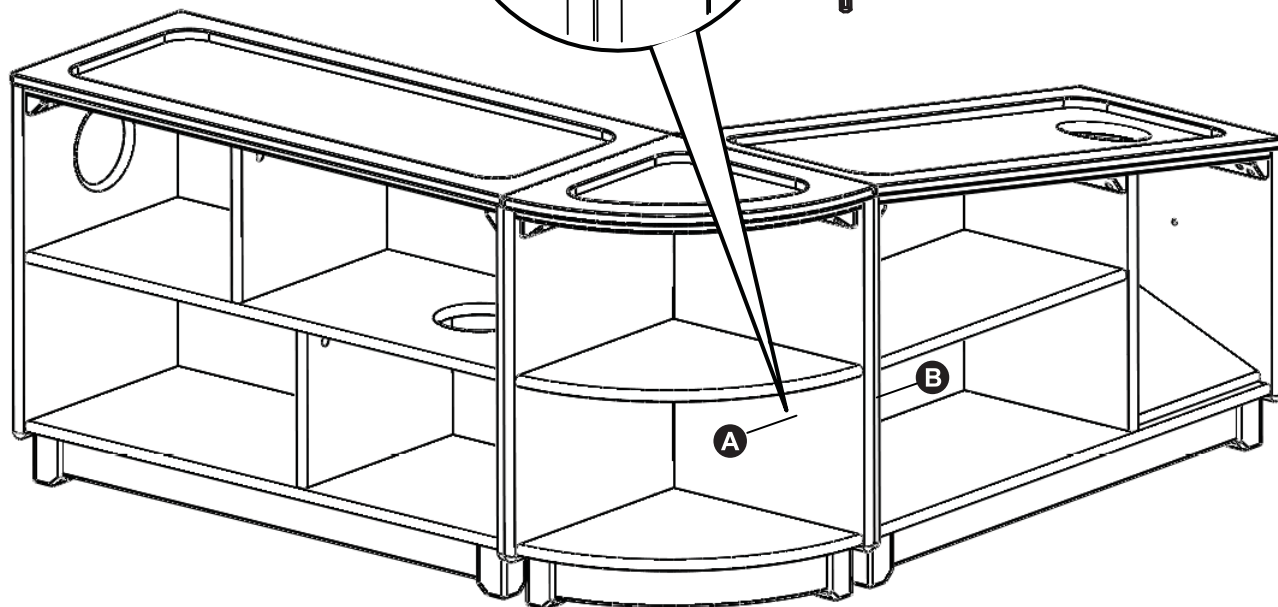
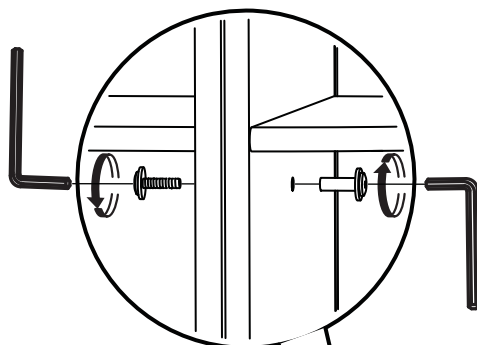
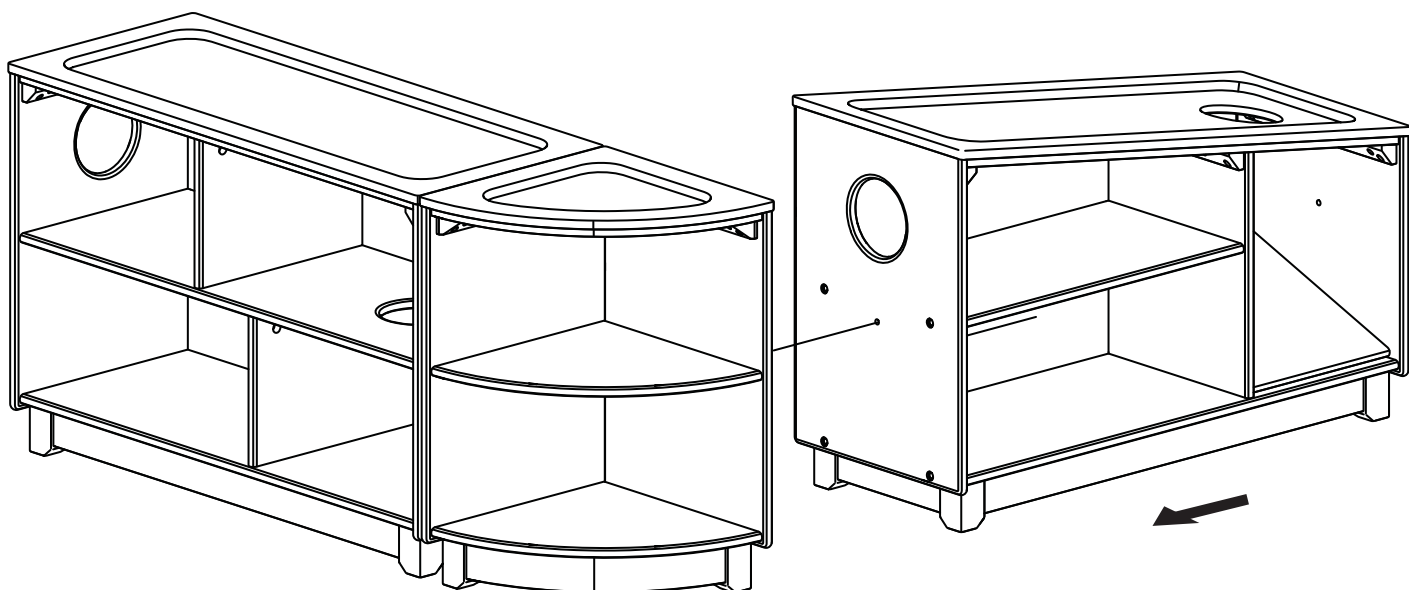


1 Align the small holes on the side panels.



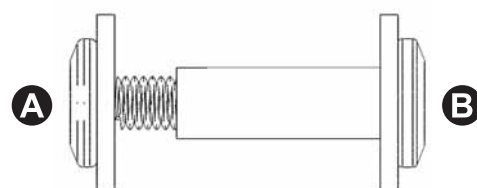
2 Unscrew parts A and B and insert them through the holes in the side panels. Use the two Allen keys provided to tighten the hardware down in place.



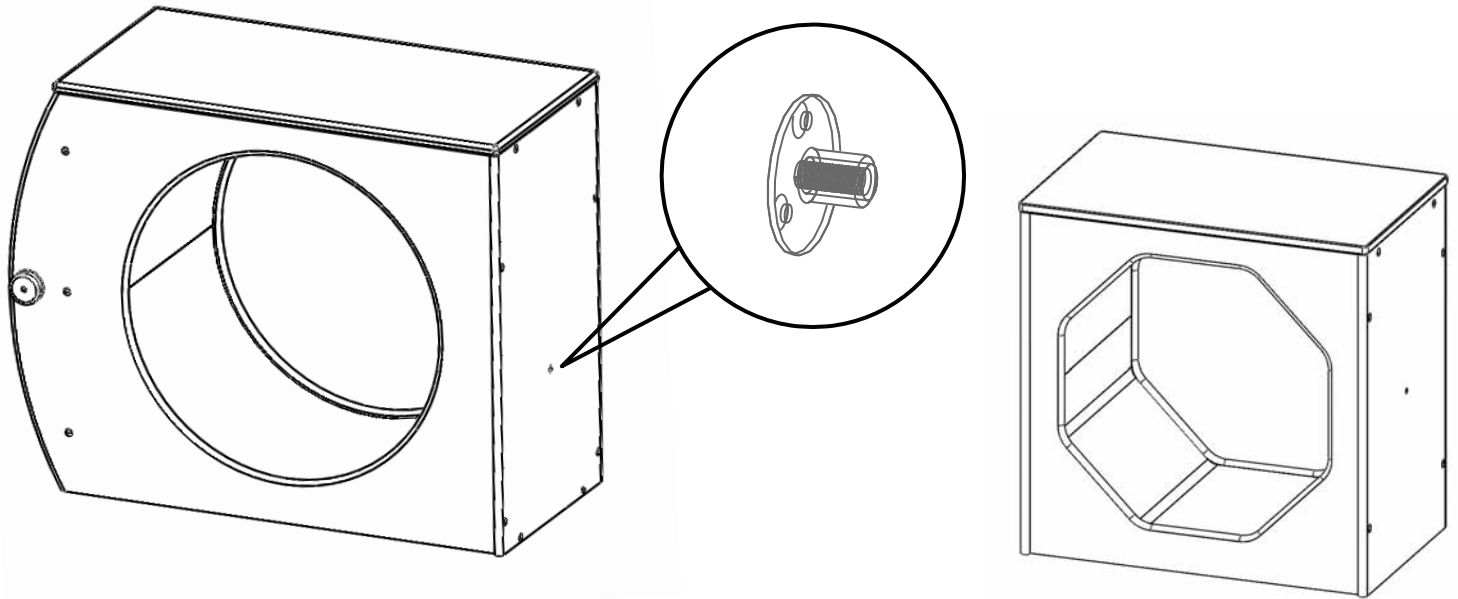


3

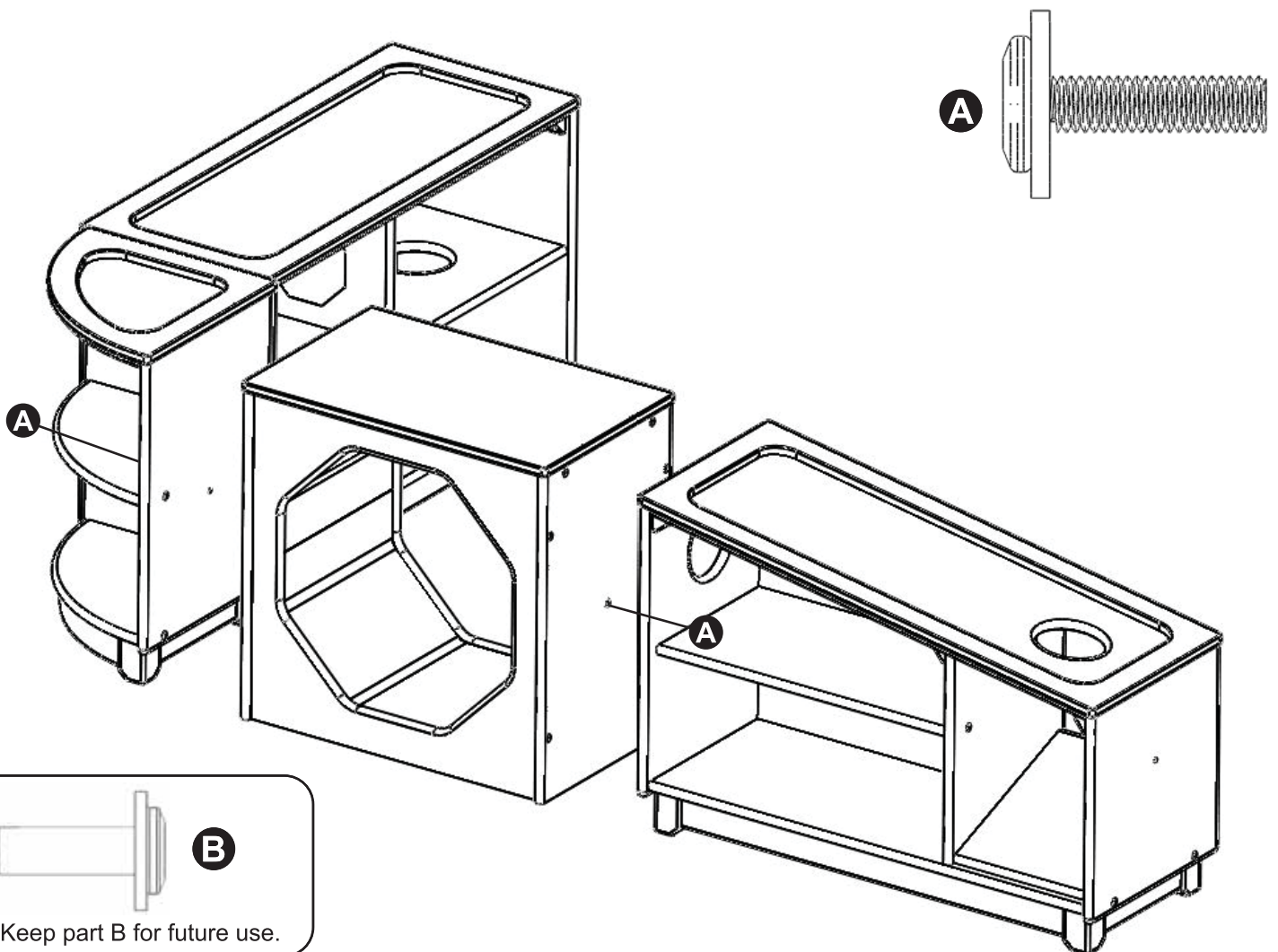
Use the same process to connect together additional Sense of Place Wee One units. Store any extra connective hardware for future use.



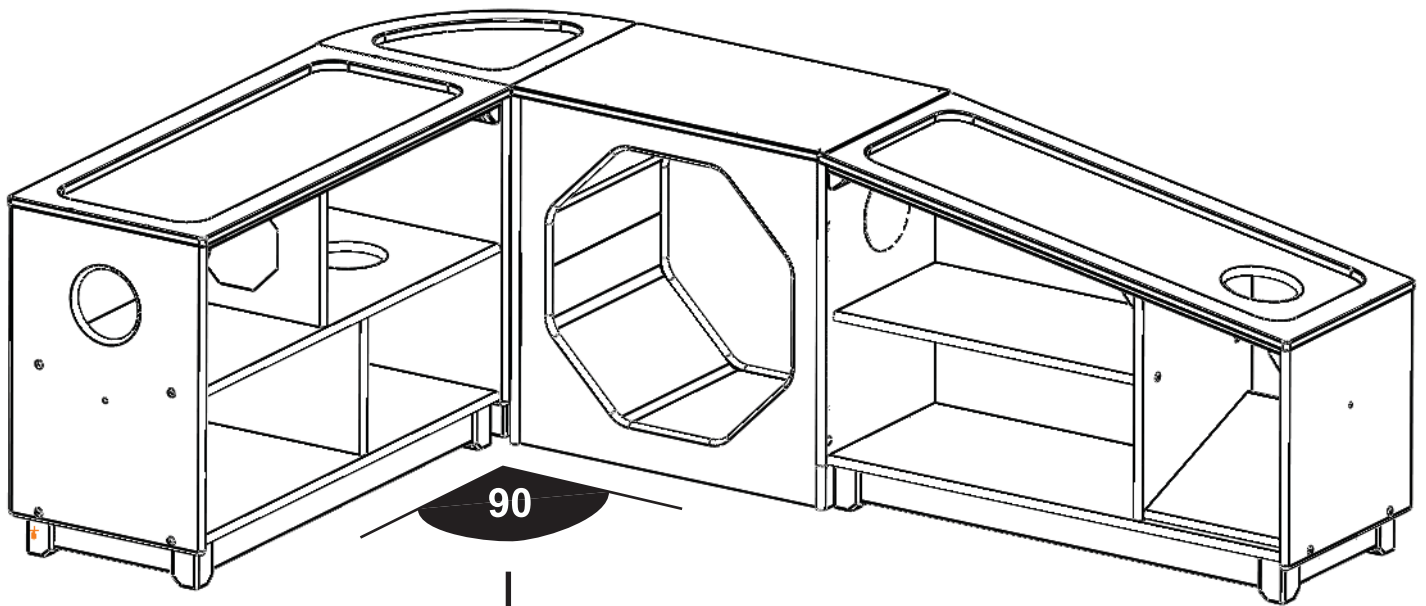
Hide Away Cove and Honeycomb Tunnel



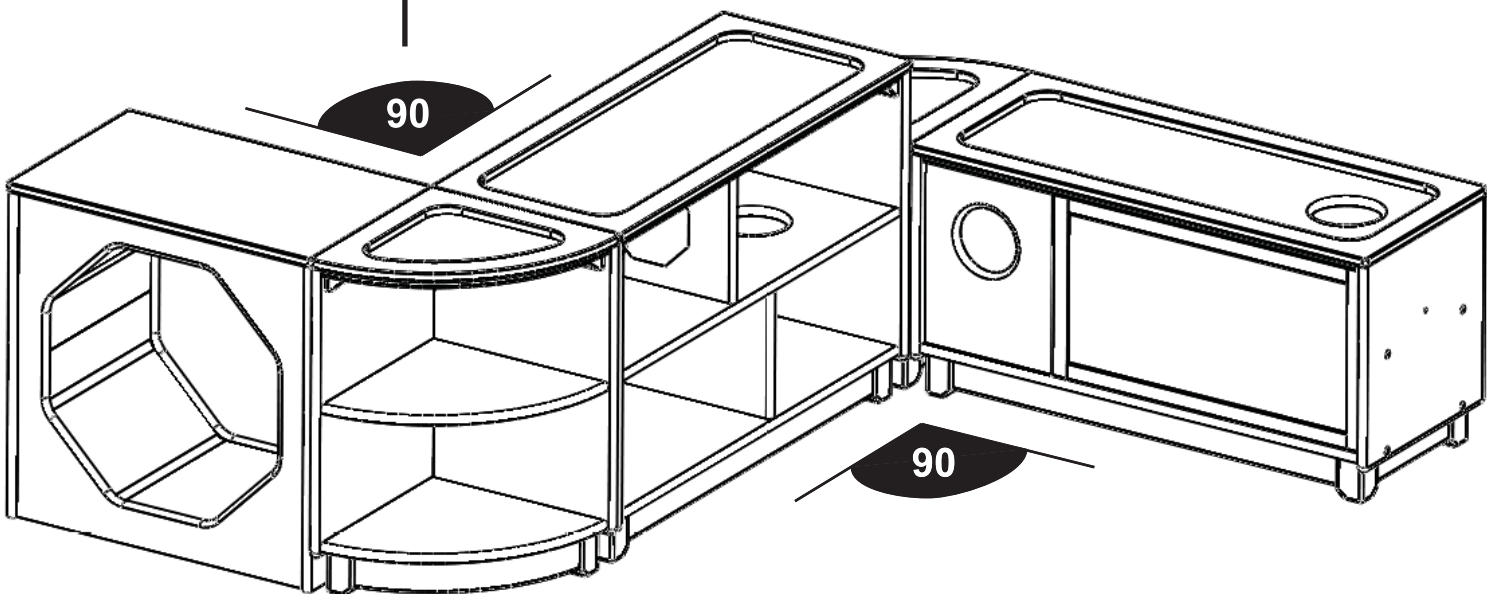
Face mounted hardware on these units that act as part B of the connection system.

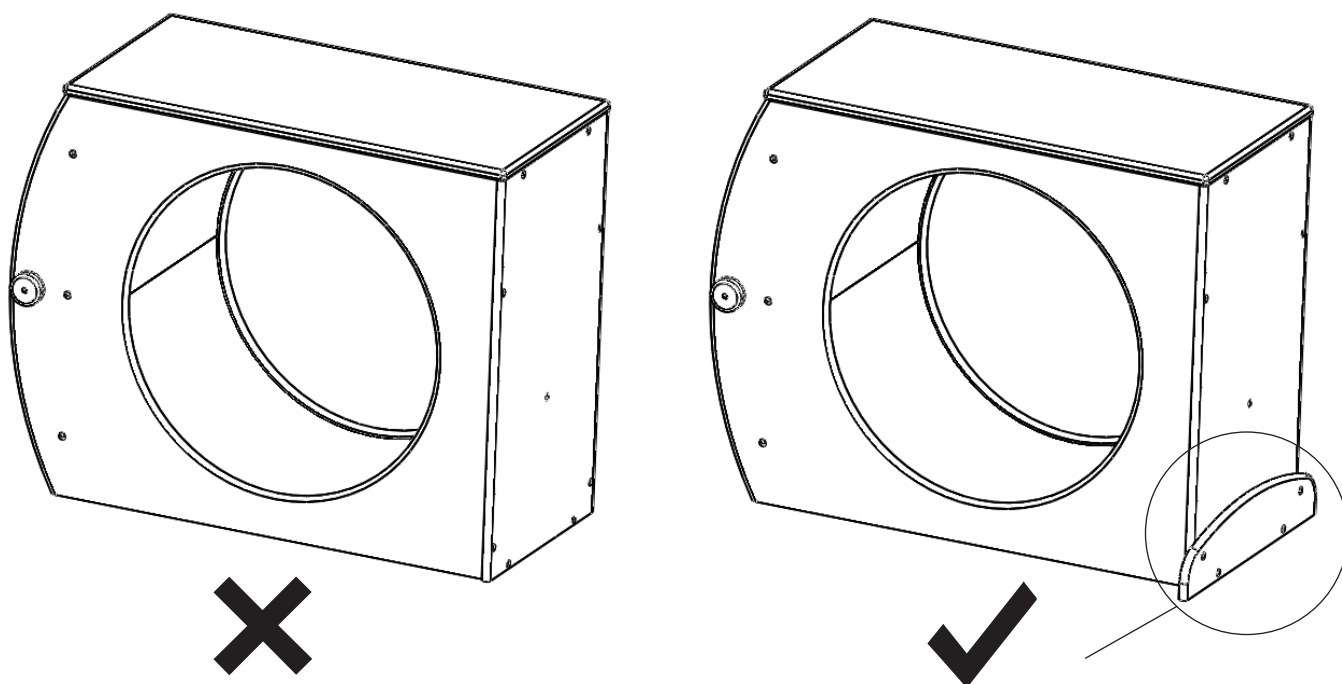


B
Keep part B for future use.

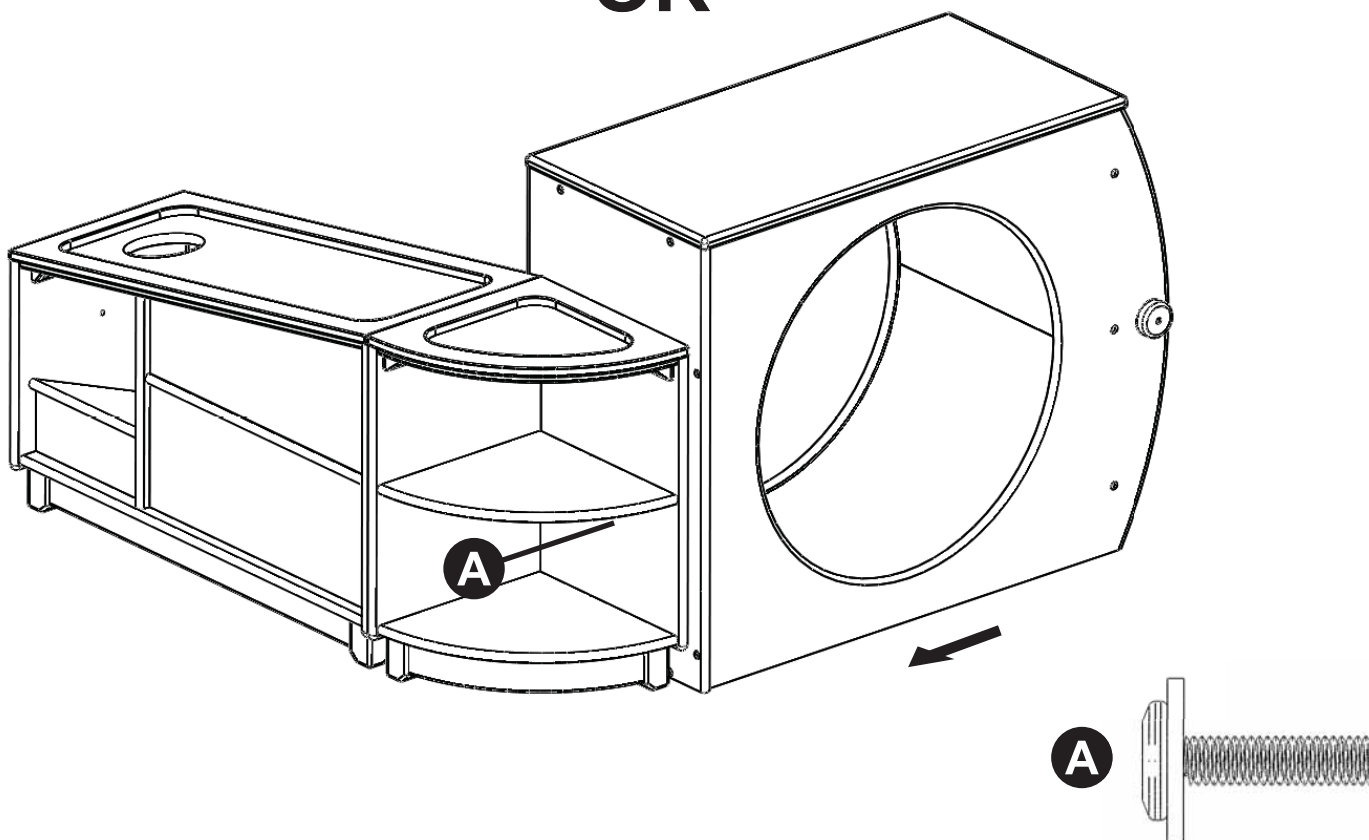


Include at least one 90-degree connection into your configuration for safety and stability.



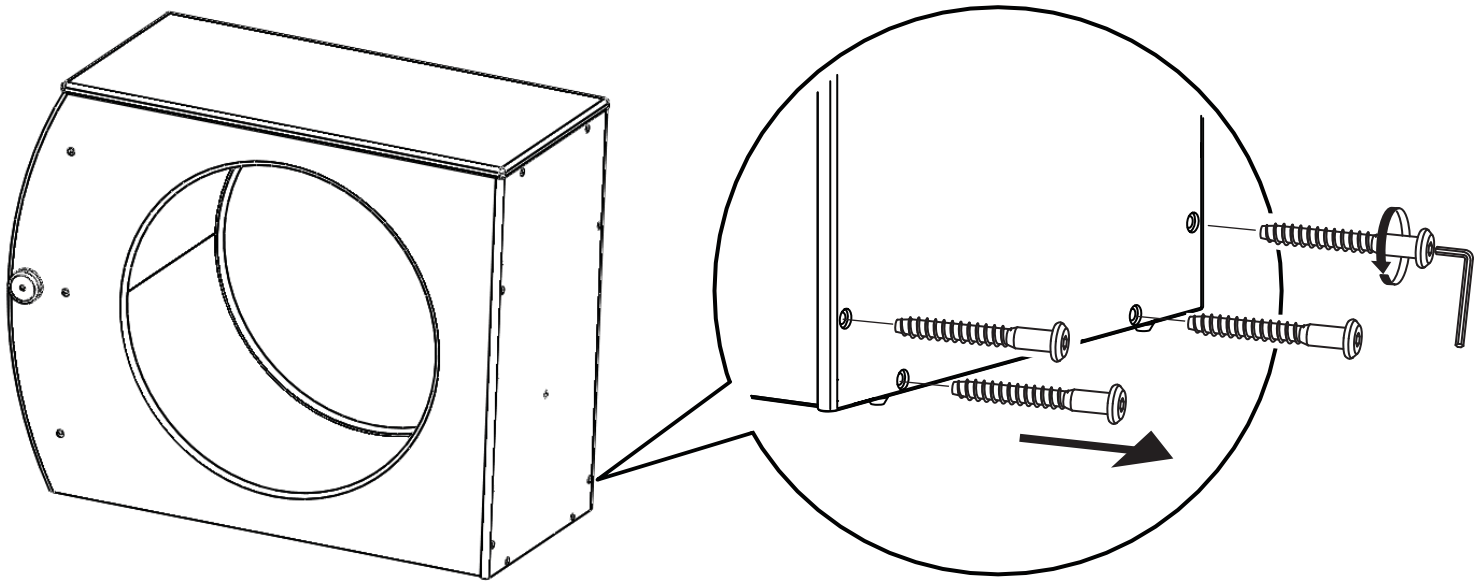


OR

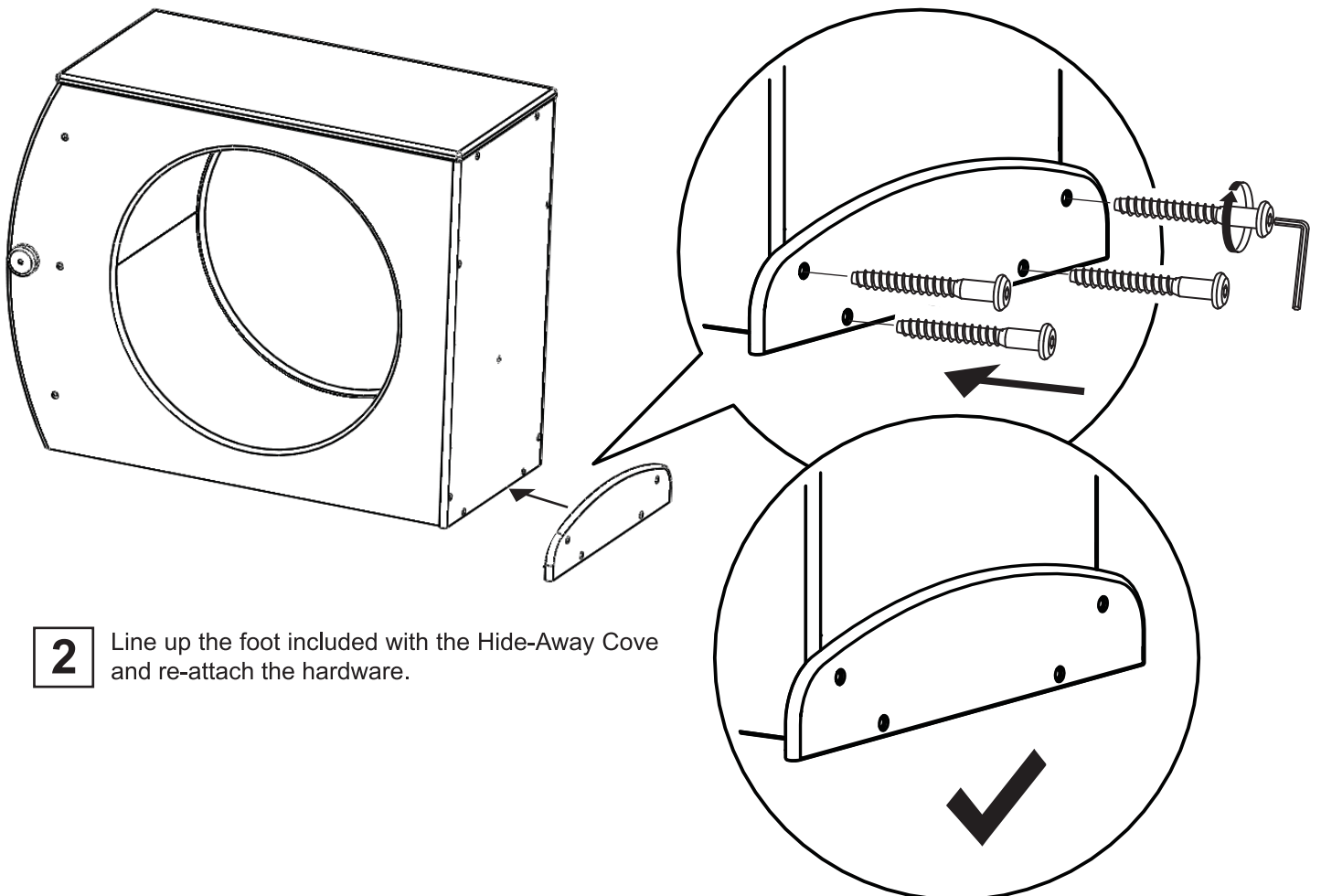


When incorporating the Hide-Away Cove into your Sense of Place Wee Ones classroom, please use the foot provided if using it as a stand alone unit.

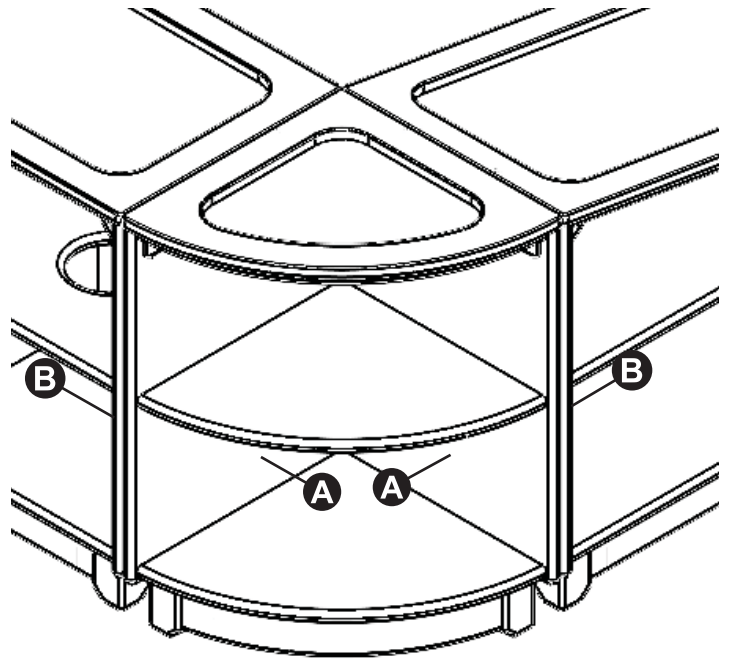
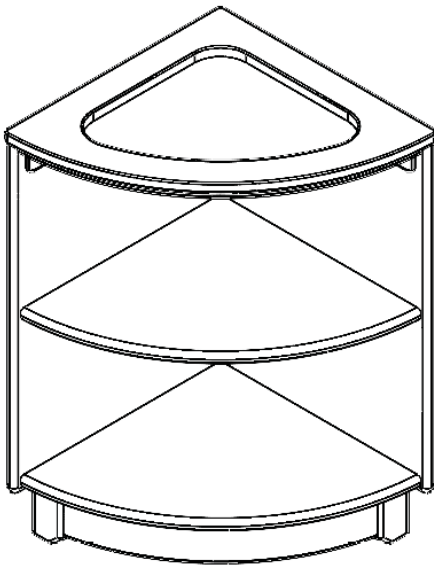
Hide-Away Cove Foot Attachment



1 Use an Allen key to remove the screws highlighted in the diagram above.



2 Line up the foot included with the Hide-Away Cove and re-attach the hardware.



The corner pieces must be attached to other furniture using the connective hardware.

